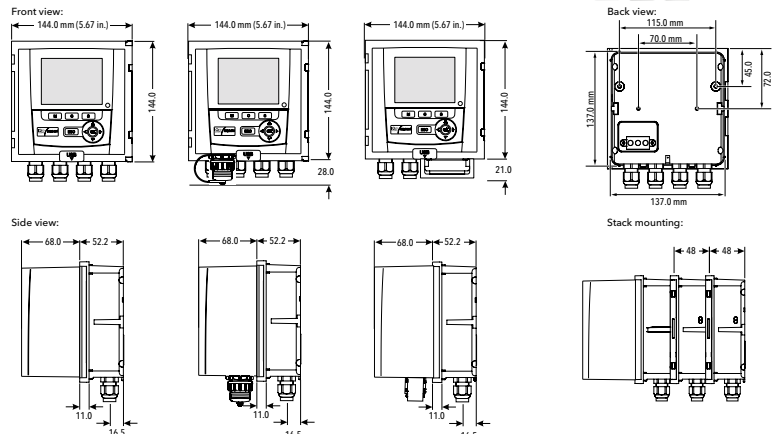


IQ SENSOR NET DIQ 282



Controller for small and mid-sized wastewater treatment plants including USB-interface and internal data logger- up to 2 sensors, all parameters, available anytime

We would like to inform you about the application range on our website



Technical Data

Controller	DIQ/S 282-CR3	DIQ/S 282-PR	DIQ/S 282-MOD	DIQ/S 282-CR3-E	DIQ/S 282-EF
Max. number of sensors	2				
IQ SENSOR NET connections	1	2	2	1	2
Outputs	3 x (0) 4-20 mA, 3 x Relais	PROFIBUS, 3 x Relais	Modbus RTU, 3 x Relais	3 x (0) 4-20 mA, 3 x Relais, RJ45 for remote access	Profinet, Modbus TCP, Ethernet IP, 3 x Relais
Display	Graphic TFT Display; Resolution: 320 x 240 pixel; backlit				
Control Functions/ Function Keys	5 operating keys: measurement (M), calibration (C), set/system settings (S), 3 master keys for functions: 2 keys for: confirmation/switching menu O.K. (OK), escape (ESC) Arrow keys for rapid selection of software functions and input of alpha-numeric values (up), (down)				
Electric Supply	100 ... 240 VAC (50/60 Hz), 24 V AC/DC				
MIQ Module Coupling at Rear	Combined mechanical and electrical connection, for rapid coupling to MIQ modules, up to 3 modules as a stack mounted unit possible				
Cable Feeds	4 screw cable glands M 16 x 1.5 (expandable to M 20 if required)				
Terminal Connections	Screw terminal strips; Terminal area for solid conductors: 0.2 ... 4.0 mm ² Terminal area for flexible conductors: 0.2 ... 2.5 mm ² ; accessible by opening cover				
IQ SENSOR NET Terminal Connections	Terminal connections for the IQ SENSOR NET for connecting sensors				
USB interface	USB-A				
Datalogger	Data memory for up to 525,600 data sets				
Ambient Conditions	Operating temperature: -4 °F ... 131 °F (-20 °C ... +55 °C); Storage temperature: -13 °F ... 149 °F (-25 °C ... +65 °C)				
Housing Material	PC - 20 % GF (polycarbonate with 20 % fiberglass)				
Protection Rating	IP 67 / corresponding to NEMA 4X (not for direct conduit connections). Conduits need to be connected with flexible adapters (CC-Box), respectively with adapters CC-PM..				
Weight	Approx. 1,2 kg (2.6 pounds)				
Certifications	CE				
Electromagnetic Compatibility	EN 61326-1, Class A; FCC Class A				
Integrated Overvoltage Protection	According to EN 61326-1 enhanced overvoltage protection for the entire system				
Connection Medium Cable	IQ SENSOR NET cable SNCIQ or SNCIQ/UG (underground cable with additional PVC coating): 2-wire with shield; 2 x 0.75 mm ² ; filler cord for easy connection of shield: 0.75 mm ² ; pressure resistant to 10 bar				
Connection Characteristics	Power supply and data transmission on these wires; resistant to polarity reversal with respect to switched shield and inner conductor (no damage); comprehensive EMC shield control; Cable topology within the IQ SENSOR NET system as required, e.g. in the form of a line, tree, star; total cable length max. 250 m (273 yds)				
Warranty	3 years for defects of quality				

Model	Description	Order No.
DIQ/S 282-CR3	Controller for up to 2 IQ sensors, 100 ... 240 VAC, with 3 Relays, with 3 mA-outputs	472110
DIQ/S 282-PR	Like above, but with PROFIBUS-interface (RS 485)	472111
DIQ/S 282-MOD	Like above, but with 3 Relays, with MODBUS-interface (RS 485)	472112
DIQ/S 282-CR3-E	Like above, but with 3 Relays, with 3 mA-outputs, with Ethernet-interface (RJ 45) for network connection	472113
DIQ/S 282-EF	Like above, but with 3 Relays, with Ethernet-interface (RJ 45) for network connection and fieldbuses (Ethernet/IP, Modbus TCP, PROFINET)	472114

All versions available for 24 V AC/DC



Xylem Analytics Germany Sales GmbH & Co. KG, WTW · Am Achalaich 11 · 82362 Weilheim · Germany
Phone: +49 881 1830 · Fax: +49 881 183-420 · Info.WTW@xylem.com · www.xylemanalytics.com

All names are registered tradenames or trademarks of Xylem Inc. or one of its subsidiaries. Technical changes reserved.
© 2017 Xylem Analytics Germany Sales GmbH & Co. KG. 999213US